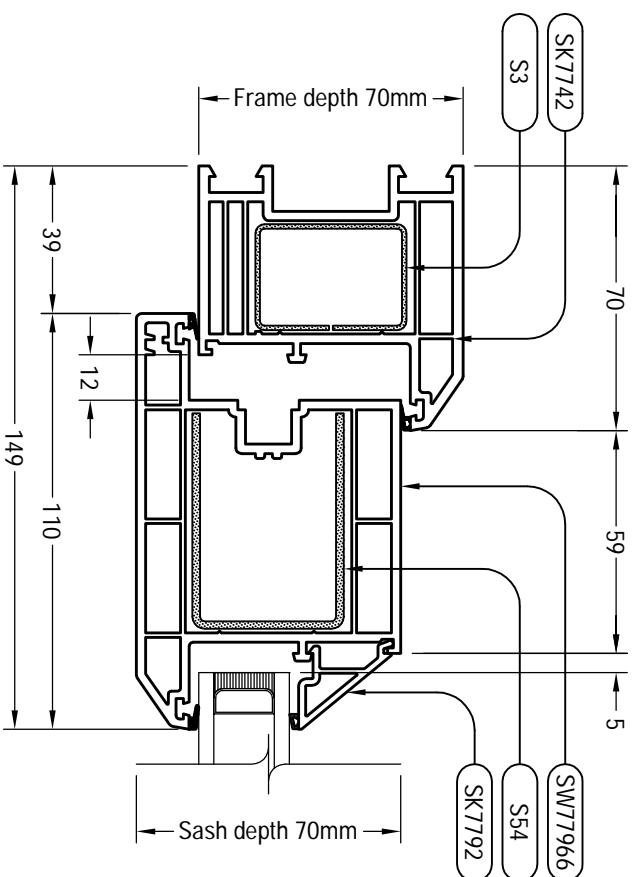
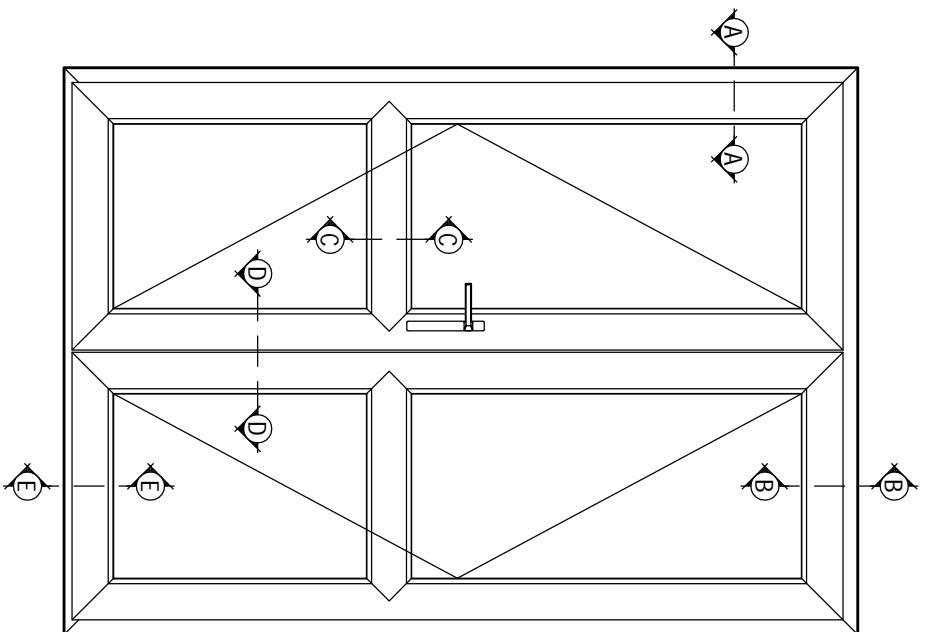
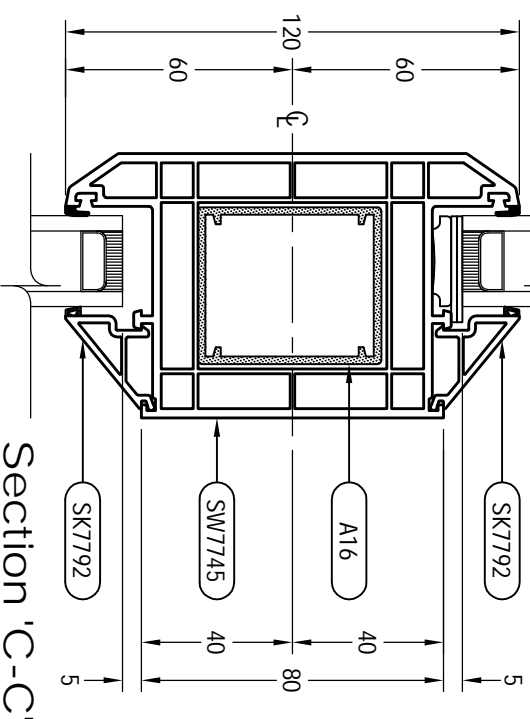


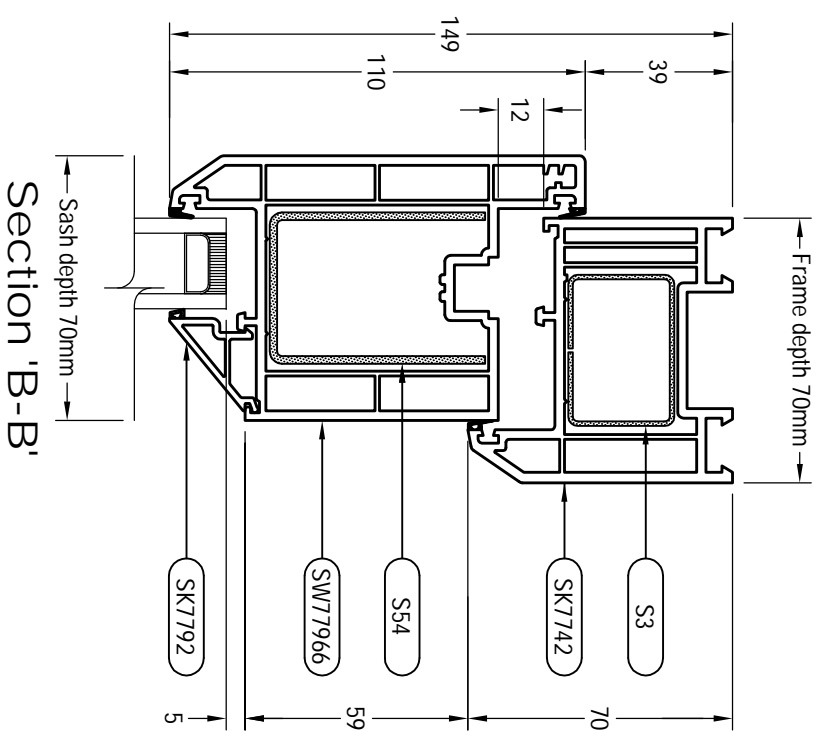
Typical French Door



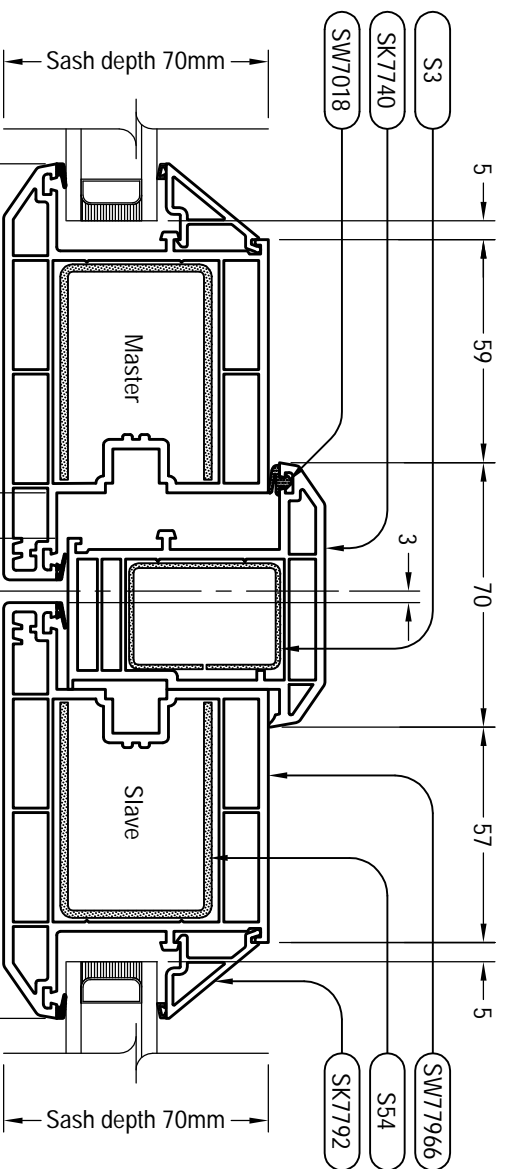
Section 'A-A'



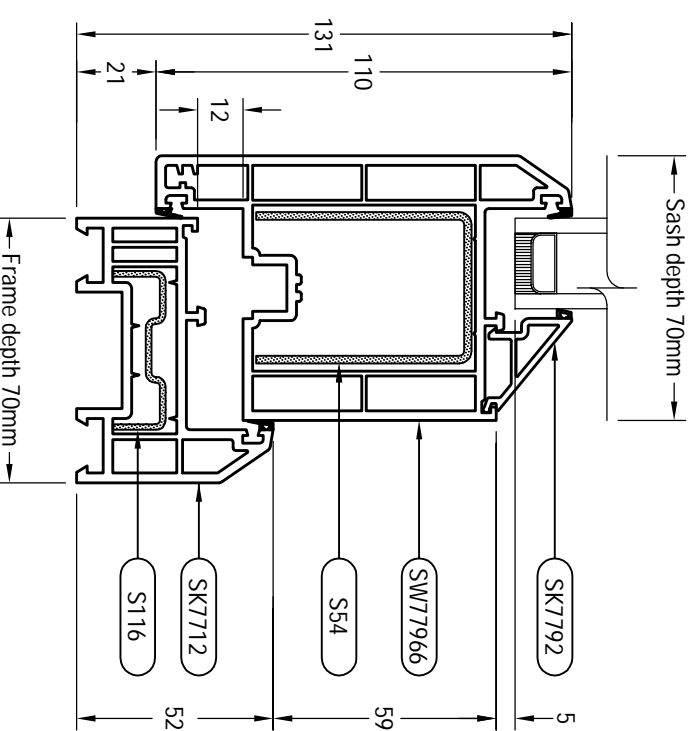
Section 'C-C'



Section 'B-B'



Section 'D-D'



Section 'E-E'

- No. Notes**
1. "THIS DRAWING AND THE INFORMATION CONTAINED IN IT IS THE PROPERTY OF L.B. PLASTICS LIMITED AND SHOULD NOT BE COPIED IN WHOLE OR IN PART OR USED FOR MANUFACTURE OR OTHERWISE DISCLOSED WITHOUT THE PRIOR WRITTEN CONSENT OF THE COMPANY. DESIGN RIGHTS AND COPYRIGHT RESERVED. © L.B. PLASTICS LIMITED."
 2. ALL DIMENSIONS MUST BE CHECKED ON SITE PRIOR TO FABRICATION.
 3. FOR FURTHER DEFLECTION AND/OR STRESS CALCULATIONS SEEK A STRUCTURAL ENGINEERS ADVICE.
 4. THIS IS A TYPICAL INSTALLATION ONLY AND MUST NOT BE USED AS A WORKING DRAWING. FOR SPECIFIC DESIGN DETAILS A STRUCTURAL ENGINEER MUST SURVEY THE SITE AND CARRY OUT ANY CALCULATIONS NECESSARY TO DETERMINE FIXING COMPONENT STRENGTHS AND SIZES.
 5. FOR FURTHER DETAILS PLEASE REFER TO THE RELEVANT SHEERFRAME MANUFACTURING MANUAL.

Rev.	Date	Amendment

L.B. Plastics Limited
 Firs Works, Nether Heage,
 Derby, DE56 2JJ.

Tel : 01773 852311 Fax : 01773 857080
 Email : sheerframe@lbplastics.co.uk

CLIENT
Asset Manufacturing Ltd

PROJECT
Typical French Door

DRAWING TITLE
Typical Cross Sectional Details

SCALE	DATE
1:20 1:2	31.01.2006

DRAWN
Andy Gibson
 CHECKED
Andrew Grosse
 DRAWING No. **LBP/AM/27445**
 REVISION —