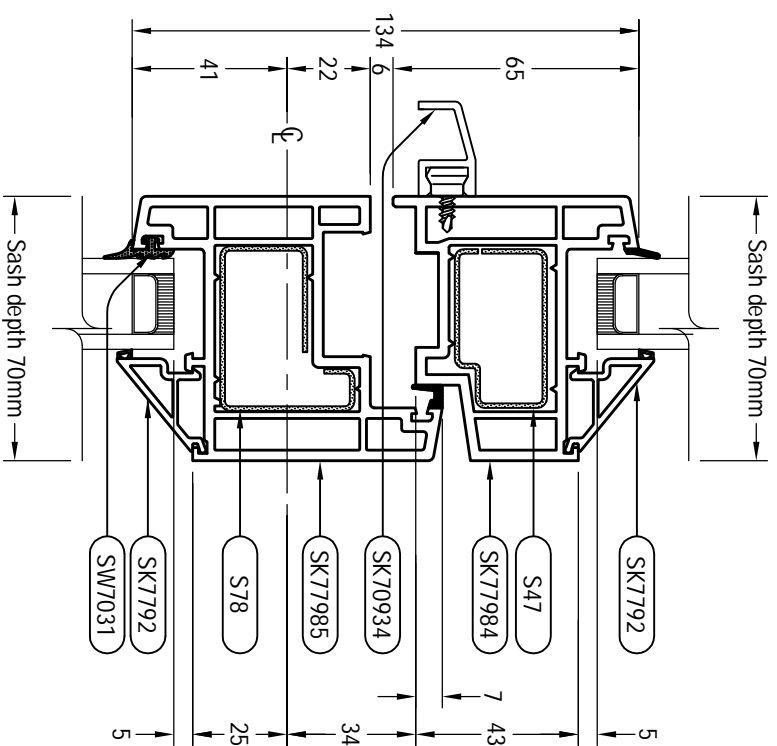
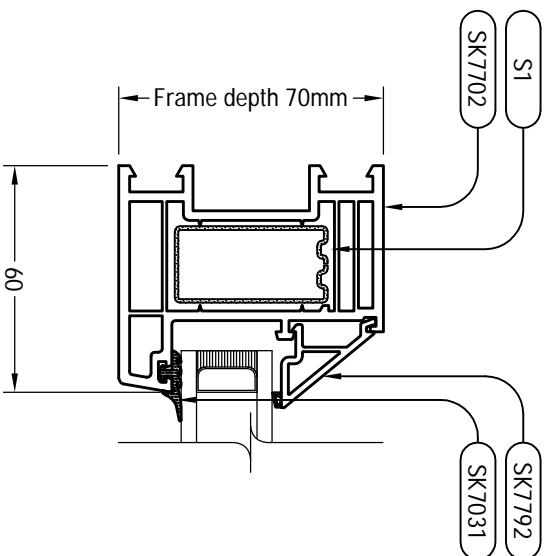
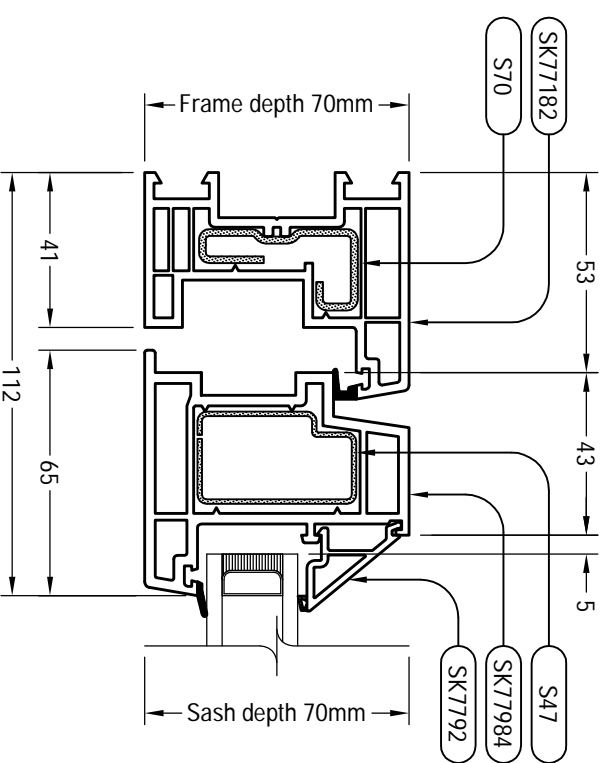
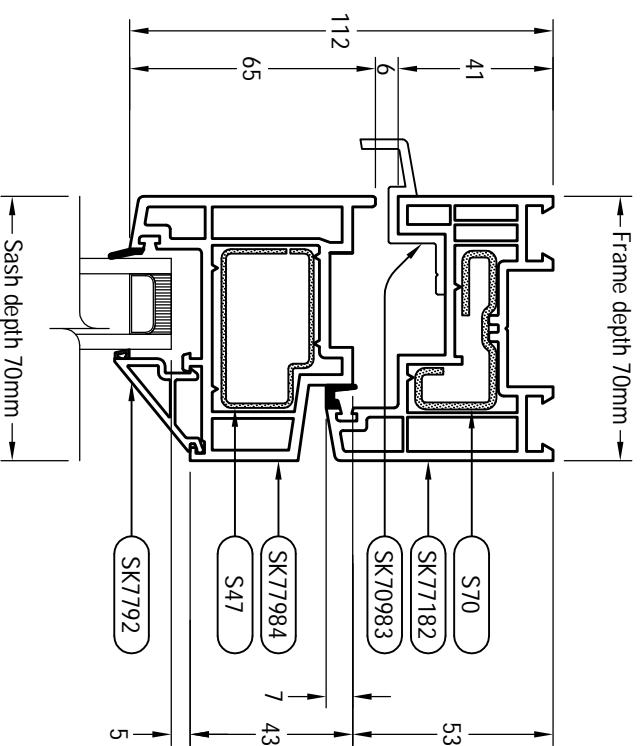
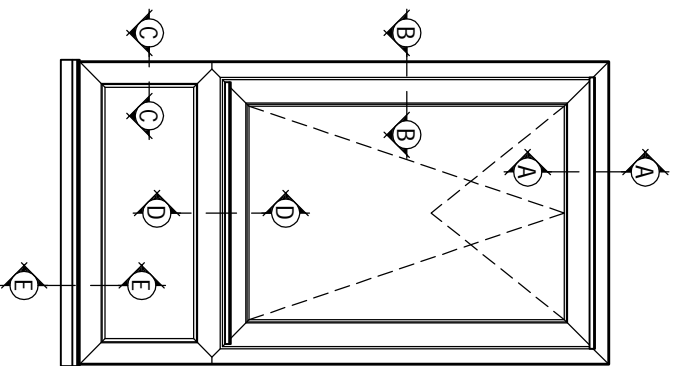
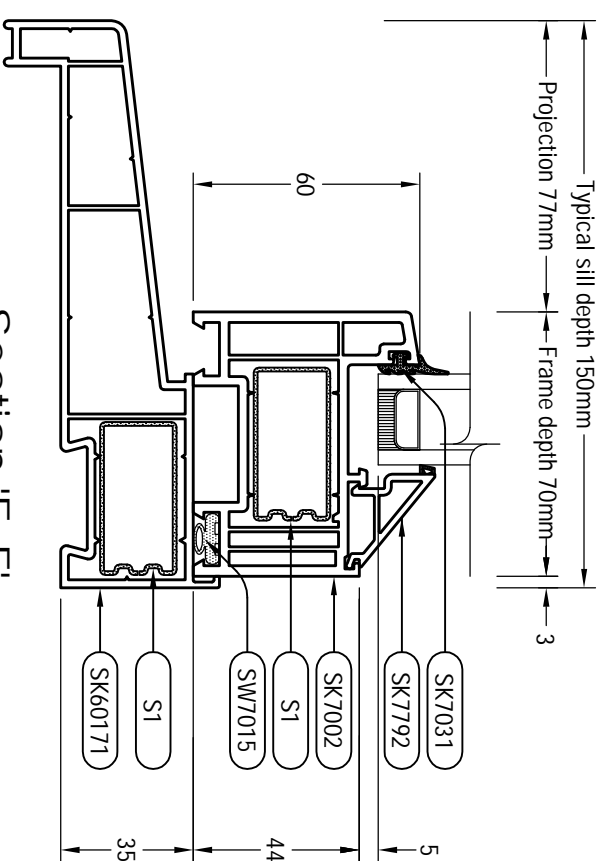


Typical Fully Reversible Window



Section 'D-D'

Section 'E-E'



- No. Notes**
1. "THIS DRAWING AND THE INFORMATION CONTAINED IN IT IS THE PROPERTY OF L.B. PLASTICS LIMITED AND SHOULD NOT BE COPIED IN WHOLE OR IN PART OR USED FOR MANUFACTURE OR OTHERWISE DISCLOSED WITHOUT THE PRIOR WRITTEN CONSENT OF THE COMPANY. DESIGN RIGHTS AND COPYRIGHT RESERVED. © L.B. PLASTICS LIMITED."
 2. ALL DIMENSIONS MUST BE CHECKED ON SITE PRIOR TO FABRICATION.
 3. FOR FURTHER DEFLECTION AND/OR STRESS CALCULATIONS SEEK A STRUCTURAL ENGINEERS ADVICE.
 4. THIS IS A TYPICAL INSTALLATION ONLY AND MUST NOT BE USED AS A WORKING DRAWING. FOR SPECIFIC DESIGN DETAILS A STRUCTURAL ENGINEER MUST SURVEY THE SITE AND CARRY OUT ANY CALCULATIONS NECESSARY TO DETERMINE FIXING COMPONENT STRENGTHS AND SIZES.
 5. FOR FURTHER DETAILS PLEASE REFER TO THE RELEVANT SHEERFRAME MANUFACTURING MANUAL.

Rev.	Date	Amendment

L.B. Plastics Limited
 Firs Works, Nether Heage,
 Derby, DE56 2JJ.

Tel : 01773 852311 Fax : 01773 857080
 Email : sheerframe@lbplastics.co.uk

CLIENT
 Asset Manufacturing Ltd

PROJECT
 Typical Fully Reversible Style Window

DRAWING TITLE
 Typical Cross Sectional Details

SCALE	DATE
1:20 1:2	31.01.2006

DRAWN	CHECKED
Andy Gibson	Andrew Grosse

DRAWING No.
 LBP/AM/27443

REVISION
 —