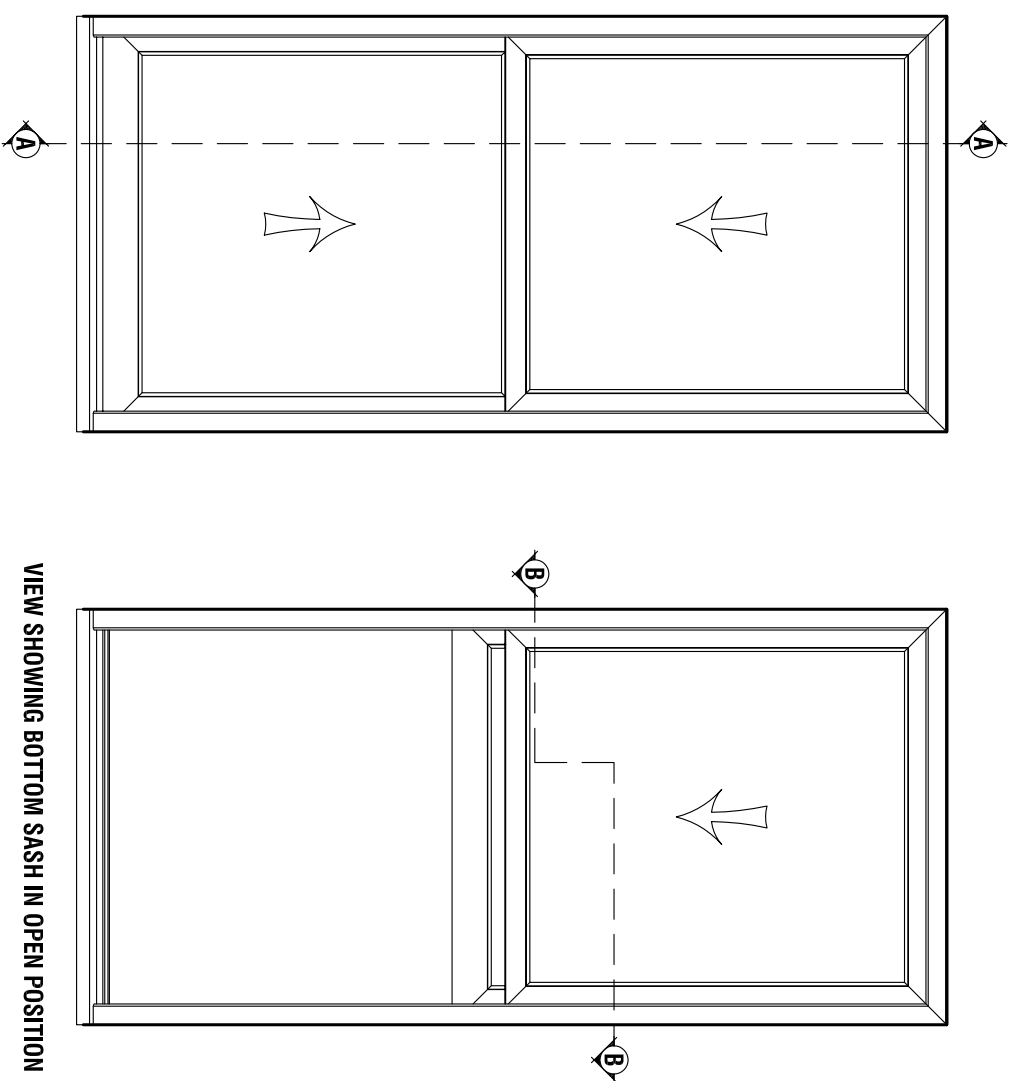
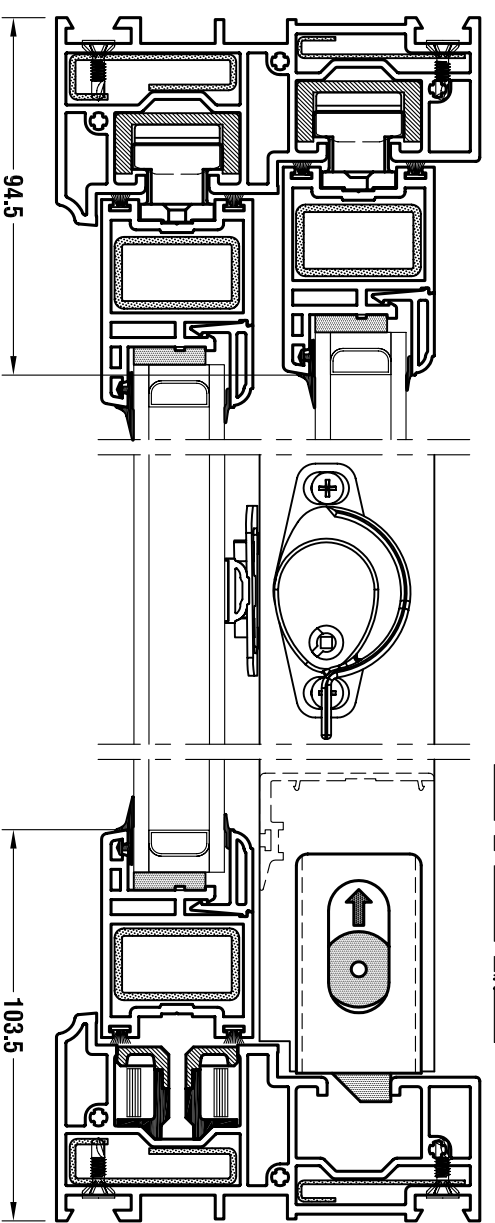


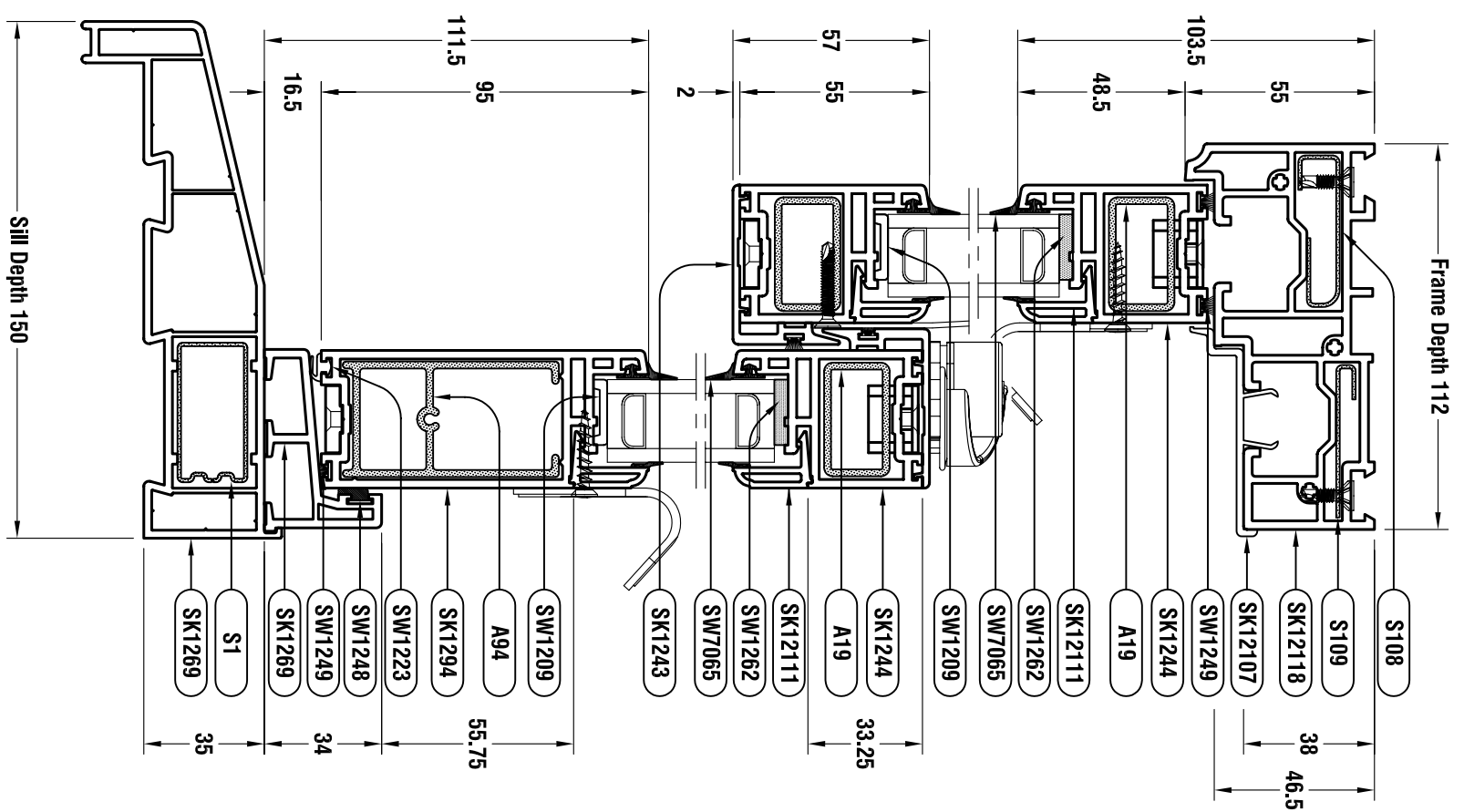
Typical Vertical Sliding Sash



VIEW SHOWING BOTTOM SASH IN OPEN POSITION



Section 'B-B'



Section 'A-A'

- No. Notes**
1. *THIS DRAWING AND THE INFORMATION CONTAINED IN IT IS THE PROPERTY OF L.B. PLASTICS LIMITED AND SHOULD NOT BE COPIED IN WHOLE OR IN PART OR USED FOR MANUFACTURE OR OTHERWISE DISCLOSED WITHOUT THE PRIOR WRITTEN CONSENT OF THE COMPANY. DESIGN RIGHTS AND COPYRIGHT RESERVED. © L.B. PLASTICS LIMITED.*
 2. ALL DIMENSIONS MUST BE CHECKED ON SITE PRIOR TO FABRICATION.
 3. FOR FURTHER DEFLECTION AND/OR STRESS CALCULATIONS SEEK A STRUCTURAL ENGINEERS ADVICE.
 4. THIS IS A TYPICAL INSTALLATION ONLY AND MUST NOT BE USED AS A WORKING DRAWING. FOR SPECIFIC DESIGN DETAILS A STRUCTURAL ENGINEER MUST SURVEY THE SITE AND CARRY OUT ANY CALCULATIONS NECESSARY TO DETERMINE FIXING COMPONENT STRENGTHS AND SIZES.
 5. FOR FURTHER DETAILS PLEASE REFER TO THE RELEVANT SHEERRAME MANUFACTURING MANUAL.

Rev. Date Amendment

L.B. Plastics Limited
 Firs Works, Nether Heage,
 Derby, DE56 2JU.
 Tel : 01773 852311 Fax : 01773 857080
 Email : sheerframe@lbplastics.co.uk

CLIENT
Asset Manufacturing Ltd

PROJECT
Typical Vertical Sliding Sash

DRAWING TITLE
Typical Cross Sectional Details

SCALE	1:20	1:2	DATE	03.02.2006
DRAWN	Andy Gibson	CHECKED	Andrew Grosse	

DRAWING No. LBP/AM/27468
 REVISION —